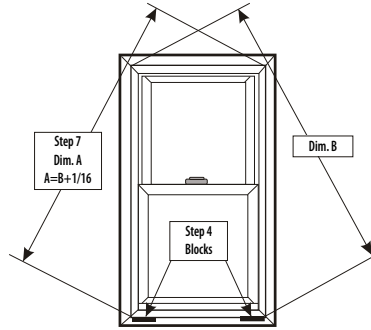


Recommended Installation Instructions

Replacement

Casement/Awning/Casement Picture Installation

1. Rough wall opening must be square (diagonals measure the same), plumb and the sill plate must be level.
2. Remove the screen and open the sash to gain access to the sash pocket of the window. Center the window in opening.
3. Drill four holes, each 3/8" in diameter into the first level of vinyl in the sash pocket of the frame. Do not drill all the way through the jamb of the window. Two holes should be about 4-6" up from the sill and two holes should be about 4-6" down from the head. (You should not be able to see the holes when you close the sash.)
4. With the window centered in the opening, shim beneath the sill of the window as necessary to ensure the window is level in the opening. Make sure the window is plumb against the exterior stop of the original window.
5. Once the window is plumb, level and square in the opening, fasten one top corner to the window with a #8 x 2" SS pan head wood screw. Then fasten the opposite corner of window in the opening.
6. Square the frame as needed by adjusting the unfastened corners making sure the diagonals are within a 1/16" of each other in length. Shim as necessary behind the holes in the lower corners and fasten the two remaining corners.
7. Install hole covers (plugs) into the hole you drilled to cover the head of the installation screws.
8. Check to make sure the sash operates and locks properly. Replace the screen.
9. Loosely fill the gap between the window and wall opening with batt installation. Do not use any expandable foam type insulation. Using any expanding foam insulation will void any and all warranties.
10. Caulk as necessary around the stop. Finish interior and exterior perimeter as required.



Awning window installation will be the same as a casement except that the hole location will not be in the sash pocket. The holes will be located on the raised vinyl surface located in between the screen and sash. Your hole location will be just above the locks and if you have room, a couple of inches down from the head of the window.

Double Hung/Slider/Picture Window

1. Rough wall opening must be square (diagonals measure the same), plumb and the sill plate must be level.
2. Remove the four snap-in sash stops at the four corners of the frame and set them aside. Close and lock the sashes.
3. With the window centered in the opening, shim beneath the sill of the window as necessary to ensure the window is level in the opening. Make sure the window is plumb against the exterior stop from the original window.
4. Once the unit is square, level and plumb, fasten one top corner to the opening with a #8 x 2" SS pan head wood screw. The prepunched screw hole is located at the top of the interior track above the balance.
5. Fasten the opposite corner with a #8 x 2" SS pan head wood screw, driven through the prepunched hole at the bottom of the interior track.
6. Square the window by adjusting the unfastened corners making sure the diagonals are within a 1/16" of each other in length. Make sure that the reveal across the bottom sash at the sill is straight and even.
7. Fasten the two remaining corners and replace the sash stops you removed earlier.
8. Check to make sure the sashes operate and lock properly.
9. Align the jambs using a flat head screw driver on the wafer head jamb adjusters located near the center of the jambs. Replace the screen.
10. Loosely fill the gap between the window and wall opening with batt insulation. Do not use any expandable foam type of insulation. Using any expanding foam type of insulation will void all warranties.
11. Caulk as necessary around the stop. Finish interior and exterior perimeter as required.

Slider window installation - Sliders do not come with sash stops, prepunched holes or jamb adjusters. Drill four holes, each 3/8" diameter into the first level of vinyl in the sash pockets of the frame. Do not drill all the way through the jamb of the window. Two holes should be about 4-6" up from the sill and two holes should be about 4-6" down from the head. (You should not be able to see the holes if you were to close the sashes). Follow the installation instructions as above. Cover the holes you drilled with the plugs that were delivered with the window.

Picture window installation will be the same as casement except that the hole location will not be in the sash pocket. The holes will be located on the flat vinyl surface located on the inside of the window. Drill four holes, each 3/8" in diameter into the first level of the vinyl jambs of the frame. Do not drill all the way through the jamb of the window. Two holes should be about 4-6" up from the sill and two holes should be about 4-6" down from the head. Follow the instructions above.

New Construction

Moisture Entry Prevention

All openings must be plumb, level and square.

Prior to installation, a moisture barrier at least 12" high by at least 8" wider than the rough opening will be stapled along the bottom of the sill. The barrier must extend 4" above the sill and 8" below the sill. Staple the barrier only above the sill so the siders can tuck their barrier under this strip and staple it. The barrier that covers the lower part of the rough opening should be cut down the jambs and folded into the rough opening. (See the "Sill Detail" at the bottom right corner of this page).

A generous bead of high quality caulk must be placed around the entire perimeter of the nailing fin (on the side that will contact the sheathing) before setting the window. Apply fasteners and shims as instructed below.

Where necessary, an additional bead of caulk must be installed around the outside perimeter of the nailing fin to insure a water tight seal to the sheathing.

Note: Variations to these installation guidelines are acceptable provide a weather tight seal is maintained and the windows are installed level, plumb and square.

Installation

1. Rough opening must be square (diagonals measure the same) and plumb and the sill plate must be level.
2. Keep window locked until installation is complete.
3. Caulk outside perimeter of rough opening.
4. Place the unit in the opening. Block the sill of the window from the sill plate of the opening near both jambs to provide equal clearance at the head and sill. Do not block or shim under the center section of the sill.
5. Center the unit in the opening. Using a 1 1/2" roofing nail, fasten one top corner of the nailing flange to the sheathing.
6. Make sure that the unit is level, remove or adjust sill block as necessary. Nail the opposite corner in place.
7. Square the window by adjusting the unfastened corners until diagonal dimensions "A" and "B" measure +/- 1/16" and reveal across the bottom sash at the sill is straight and even. Nail the remaining two corners in place.
8. Shim jambs at meeting rail and wherever necessary to eliminate all bowing in the frame.
9. Fasten the entire perimeter of the frame to the sheathing using nails in alternating prepunched holes. Verify that the window operates correctly.

Note: When applying brick to the outside of the house, leave at least 1/8" from the edge of the "J" channel to the brick for expansion. Fill the 1/8" gap with an acceptable, quality caulk..

Note to Insulation Company

Loosely fill any gaps between the frame and rough opening with fiberglass insulation. Never use expandable foam type insulation, as bowed, twisted frame members may result..

