

How to Measure a Window Opening

When measuring for a replacement window, there are three separate measurements that need to be taken. The first one is the width, taken in three locations on the window. The second is the height, taken in three locations on the window. The third one are the diagonals.

To measure for the WIDTH:

Measure from jamb to jamb as shown in figure (A). Measure across the sill, across the head and across the middle of the window. Make sure you are measuring the jamb and NOT the stops or the moulding. Use the smallest dimension as your width.

To measure for the HEIGHT:

Measure from the sill at the point CLOSEST to the stool to the header at the point against the inside stop as shown in figure (B). Measure in three locations; along the right jamb, along the left jamb and up the middle of the window. Use the smallest dimension as your height.

To Measure the DIAGONALS:

Measure from the upper left to the lower right corner and from the upper right to the lower left corner as shown in figure (C). These two measurements must be equal or at least very close. If not, it could be an indication your window opening is out of square. If so, this may affect the operation of your new window. Correct the opening and remeasure before placing an order.

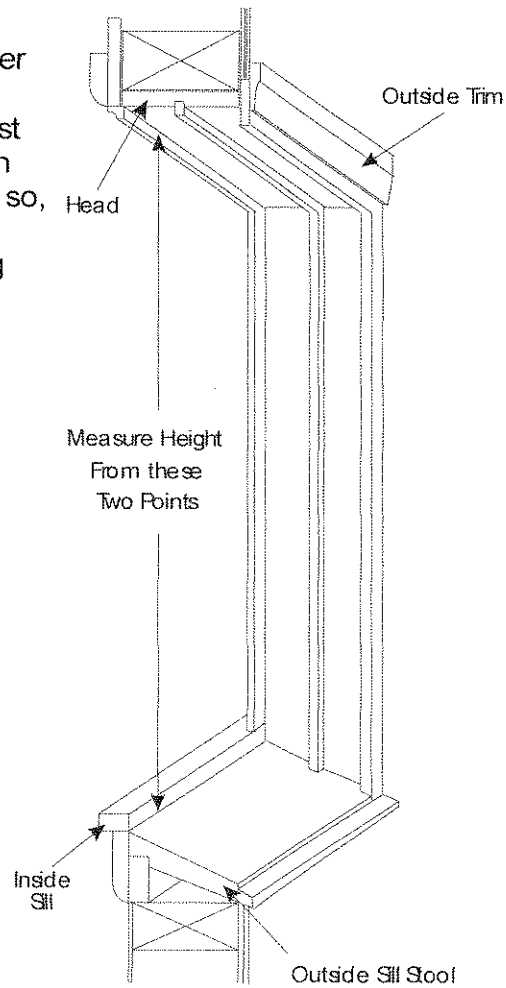


FIGURE B

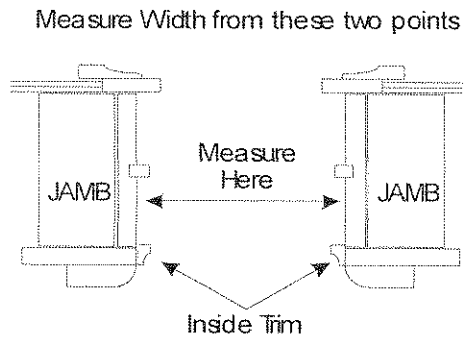


FIGURE A

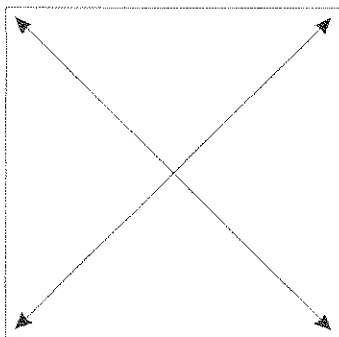


FIGURE C

These measurements are for the Rough Opening of the window. The actual window unit finish size will be slightly smaller for proper installation into the rough opening.